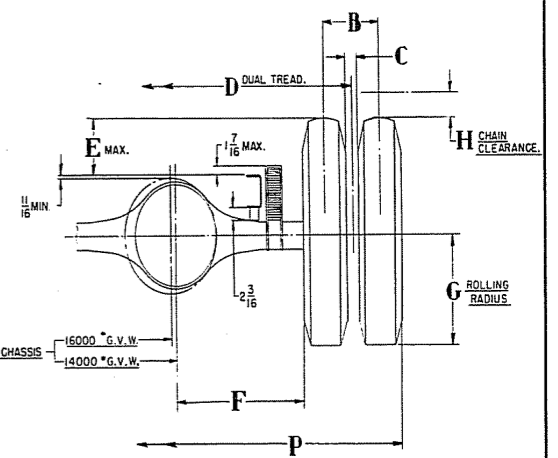
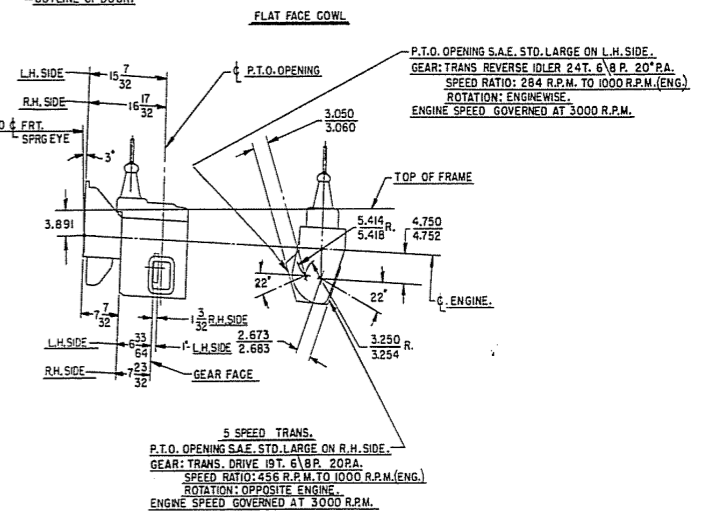
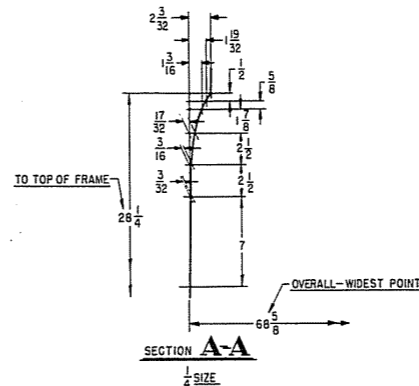
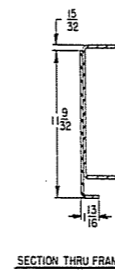
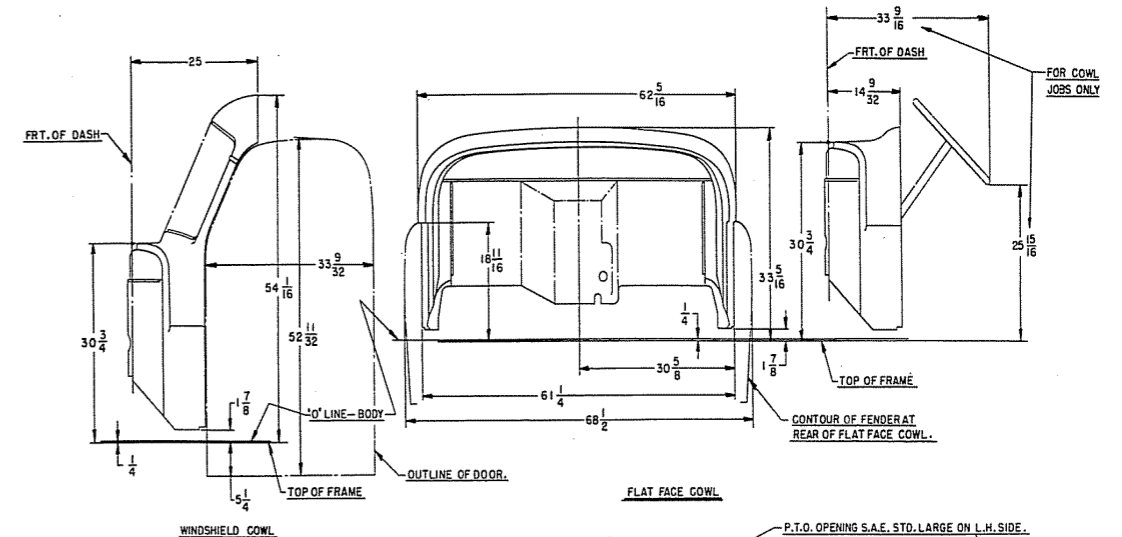


FRONT SPRINGS			
M	LOAD LBS PER SPRG	RATE LBS PER INCH	SPRG. NO.
13 3/16	2000	936	1261060
13 3/8	2500	646	1261294
12 3/8	2500	646	1261294

REAR SPRINGS			
L	LOAD LBS PER SPRG	RATE LBS PER INCH	SPRG. NO.
14	6000	2400	591660
14 1/4	7000	2807	1190558
14 1/2	UPTO 3140	1400	
	UPTO 3750	1724	

TIRE SIZE	RIM SIZE	A	B	C	D	E	F	G	H	P	NO OF STUDS
7.50/20 8P 20X6	62										6
8.25/20 10P 20X6	62										6
7.50/20 10P 20X6	63 3/4										10
8.25/20 10P 20X6	63 3/4										10
8.25/20 12P 20X6	63 3/4										10
8.25/20 12P 20X6.5	64 1/2										10
9.00/20 10P 20X6.5	64 1/2										10
7.50/20 8P 20X6	11	2.61	69	8.60	24.80	17.42	4	88.39	6		
8.25/20 10P 20X6	11	2.07	69	9.25	24.53	18.07	4	88.93	6		
8.25/20 10P 20X6	12 3/4	3.82	69 1/2	9.25	23.78	18.07	4	90.93	10		
8.25/20 12P 20X6	12 3/4	3.82	69 1/2	9.25	23.78	18.14	4	90.93	10		
9.00/20 10P 20X6.5	12 1/4	2.30	69 1/2	10.25	23.52	19.00	4	91.45	10		



BODY BUILDERS LAYOUT
R, RA 154, 172, 229" W.B.